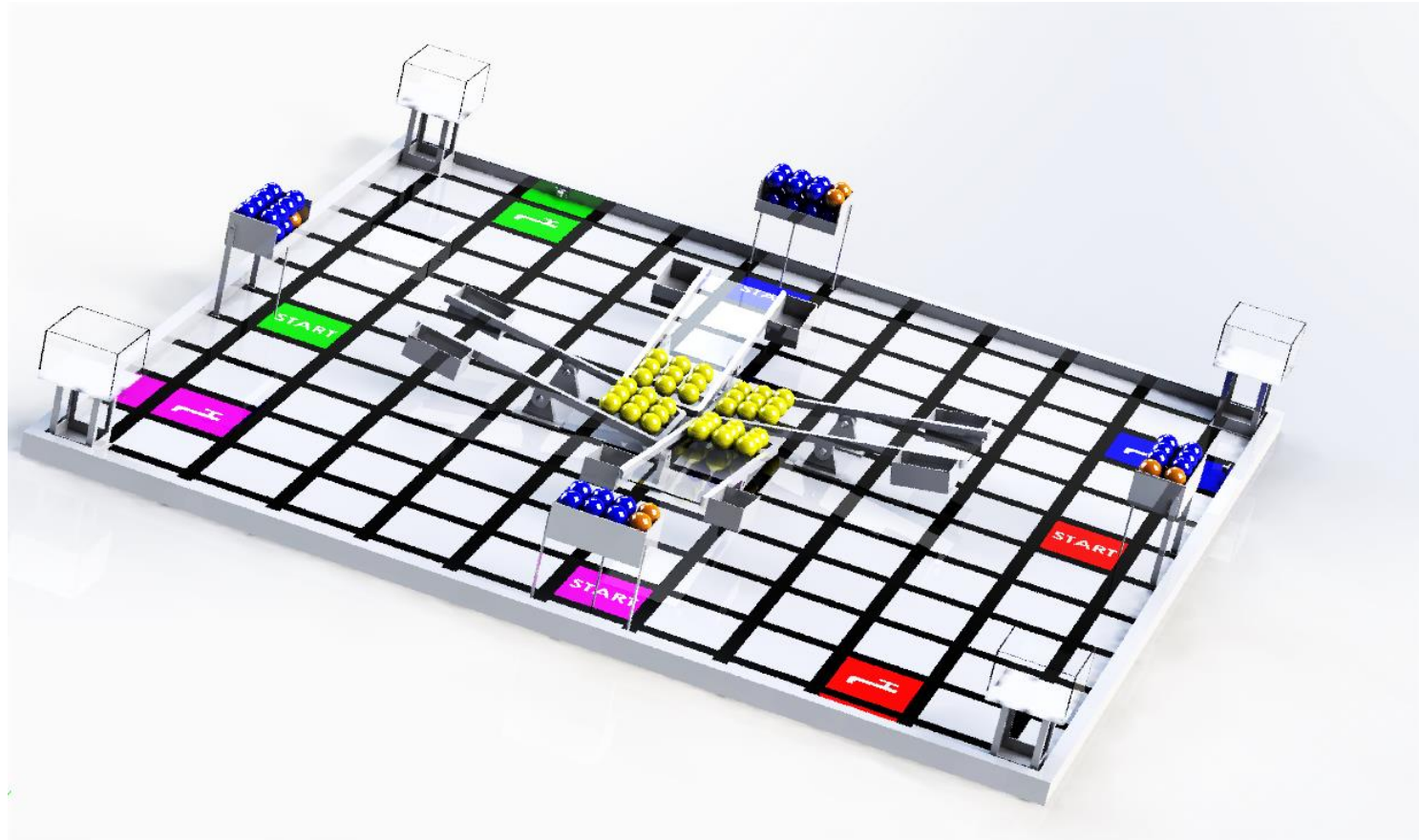
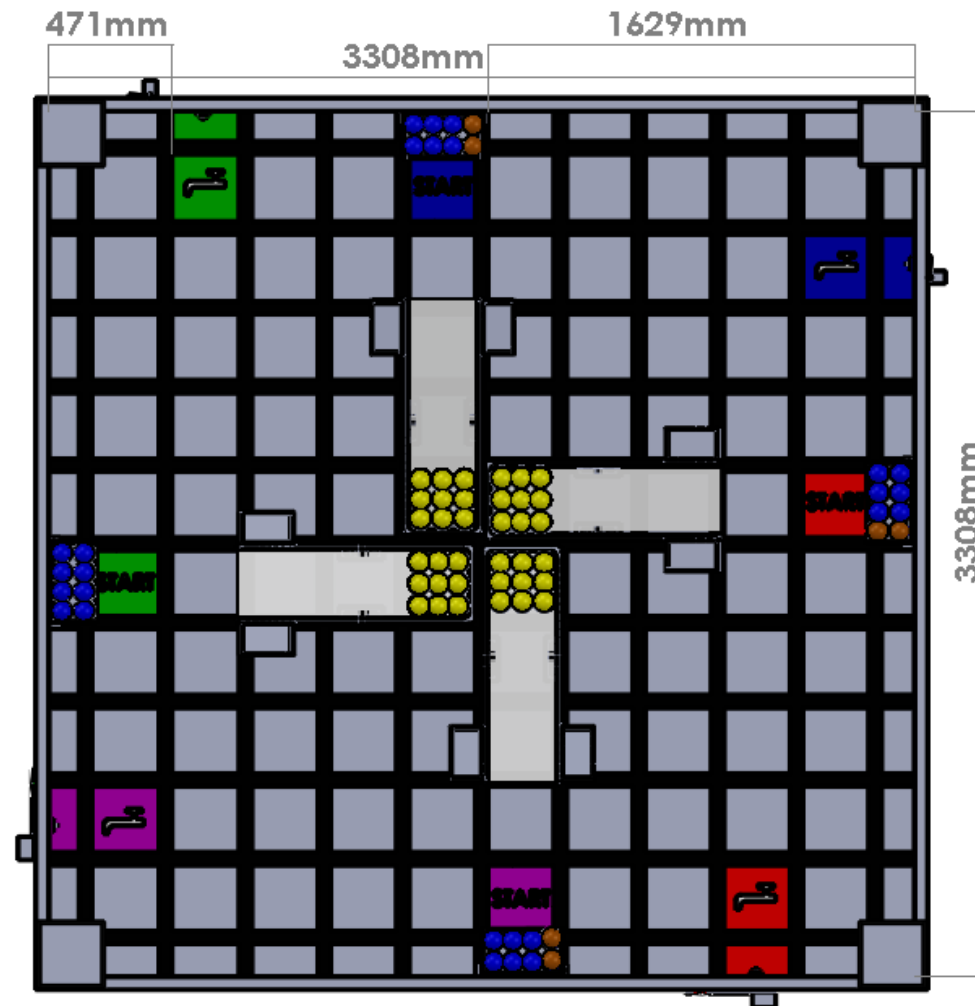


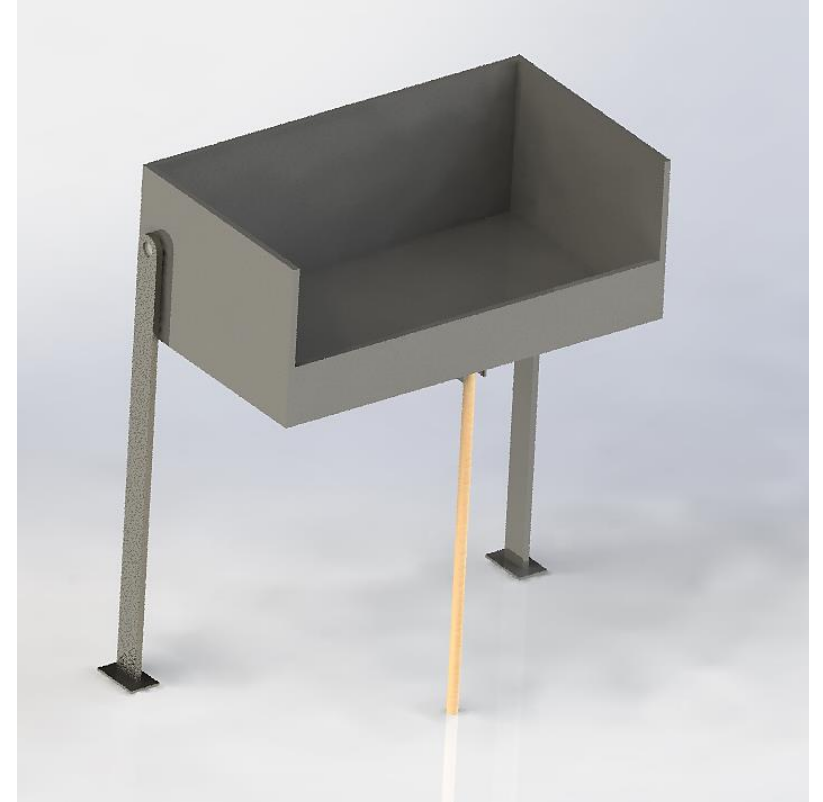
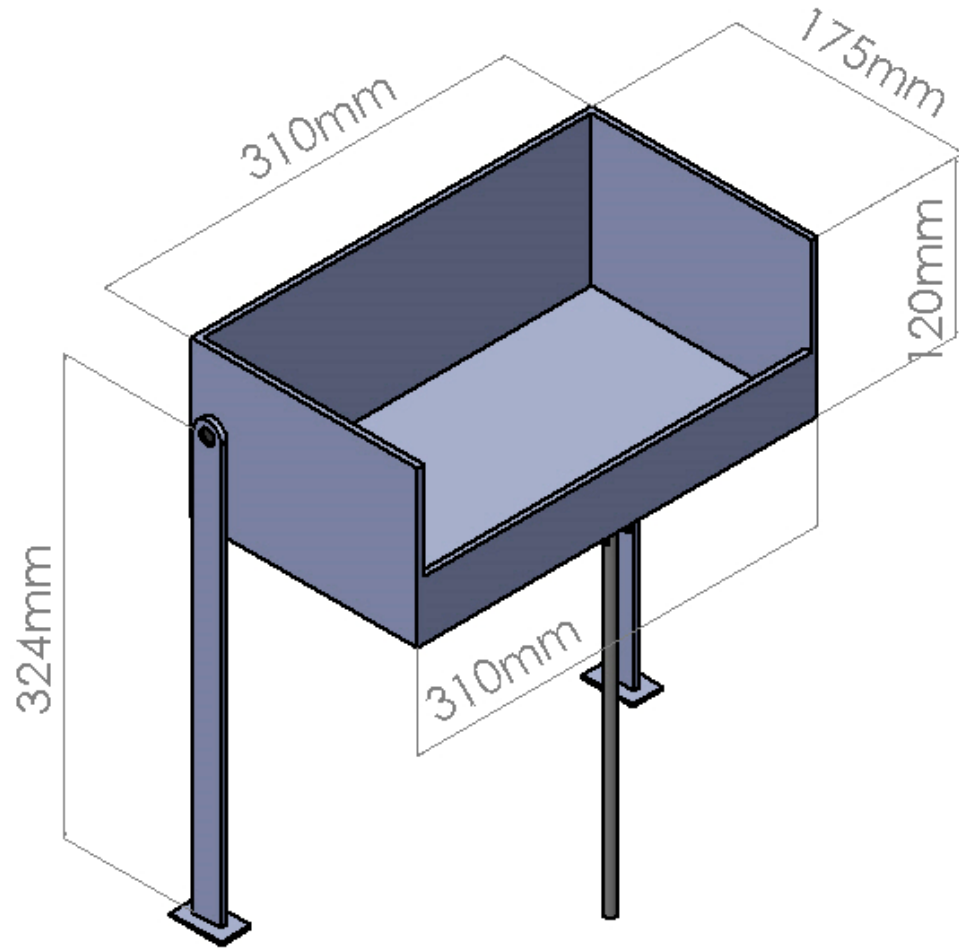
# TECH 3D MODEL DRAWING



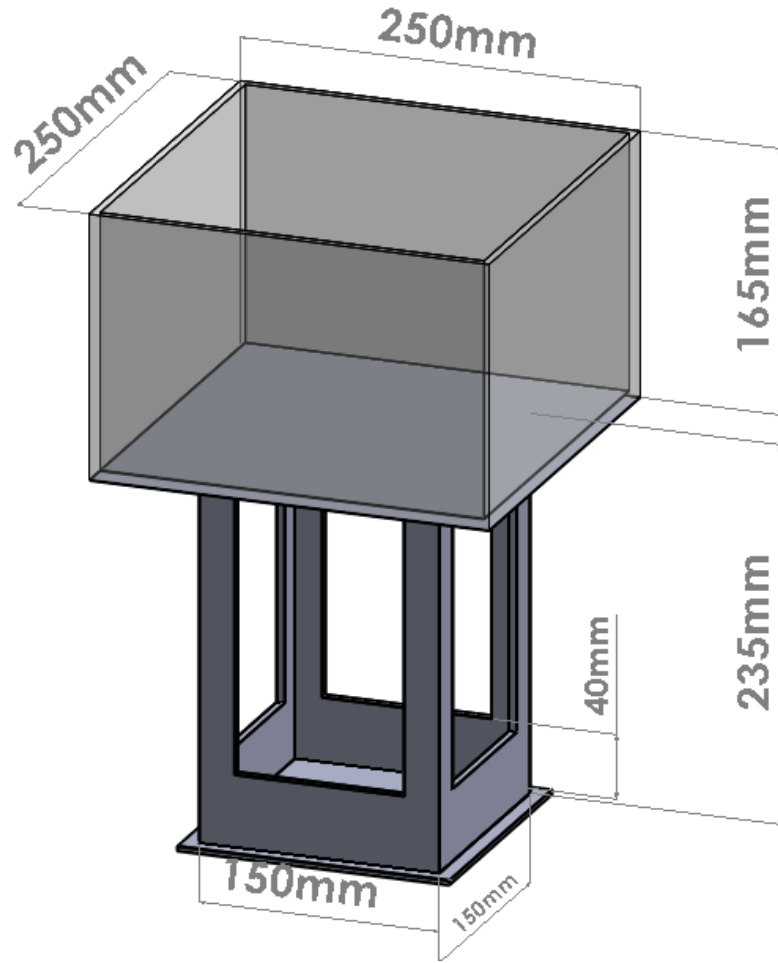
# Plan Top view



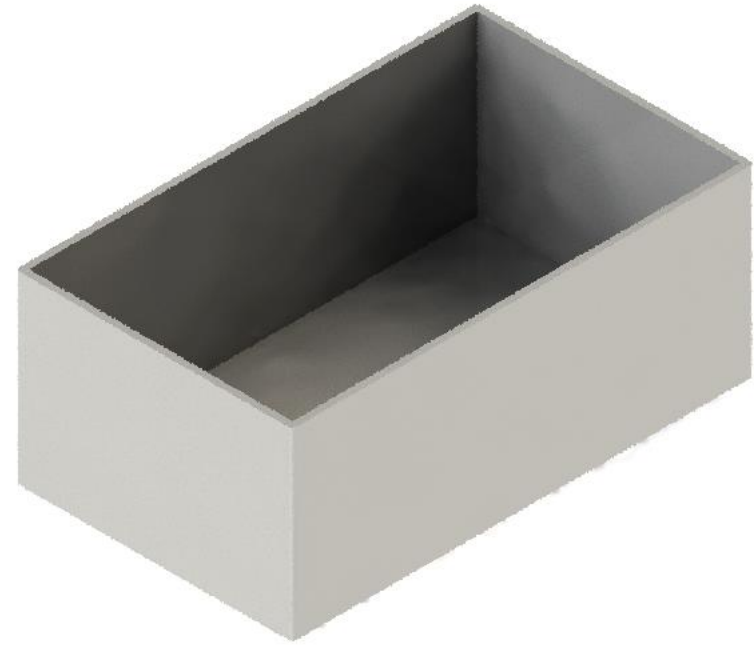
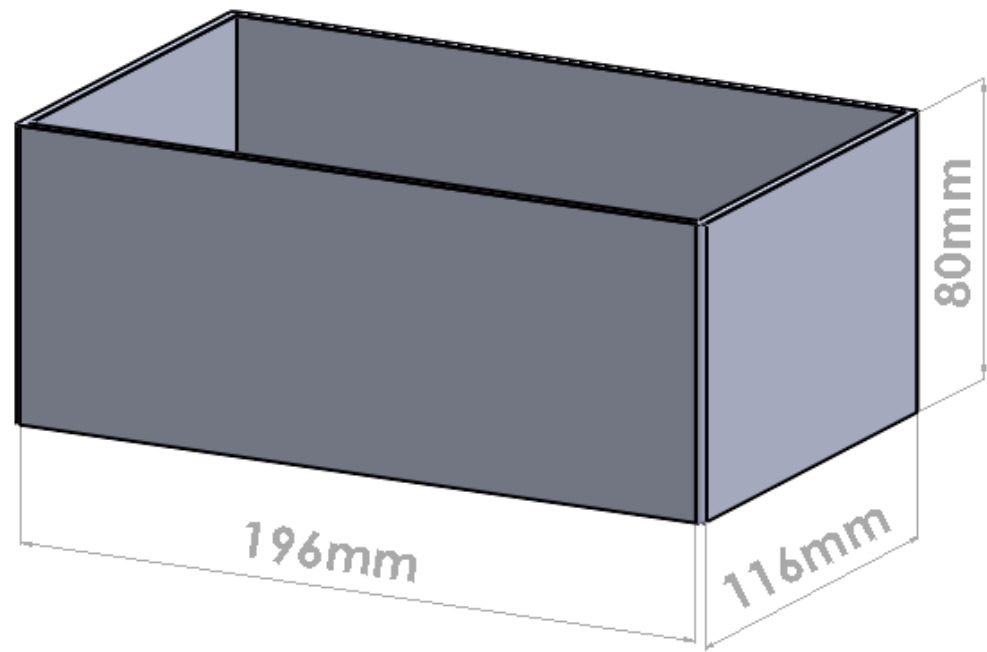
# Start Basket



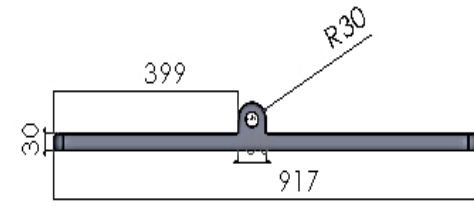
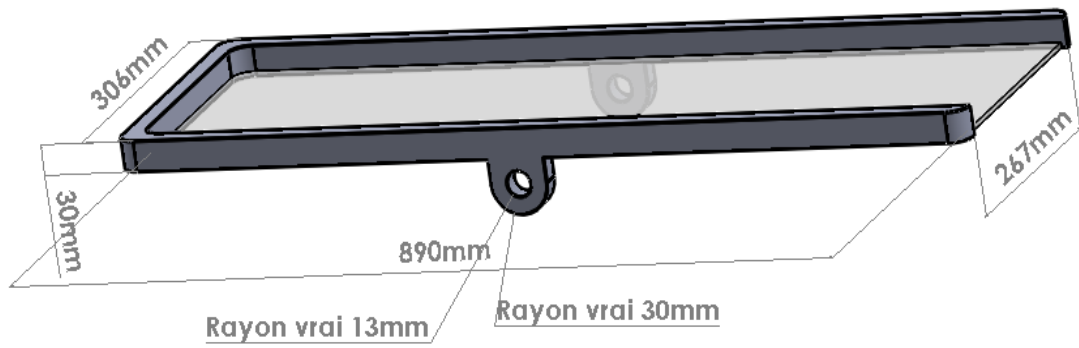
# Basket corner



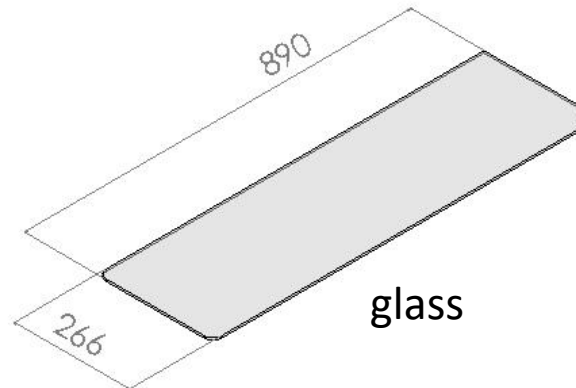
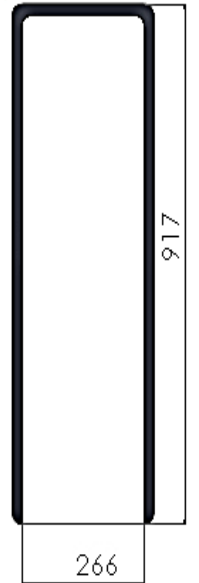
# Box



# Slide rail

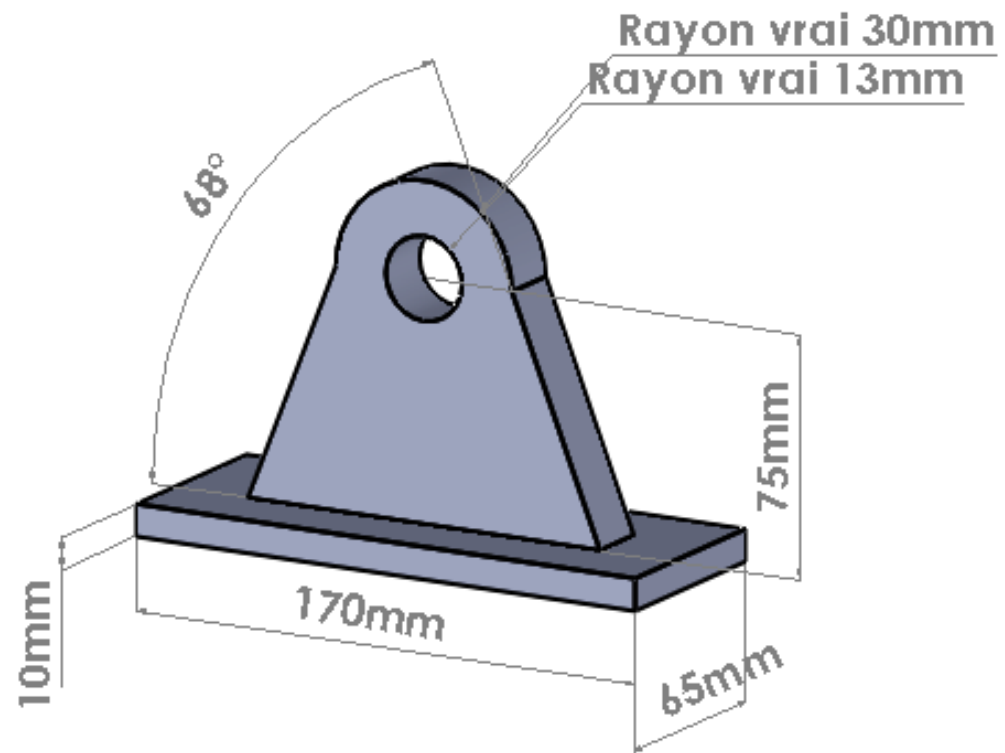


Frame



glass

# Pivot (slider)



# Ball & Bumper

